

# QSseries QS215II

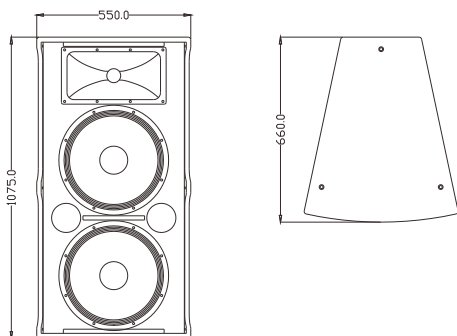
## Two-way Loudspeaker System



The QS215 II is the larger cabinet delivers really solid low end performance from a trapezoidal cabinet suitable for most mid-field applications it can be used as a stand-alone full-range loudspeaker.

QS215 II 是一款双15"两分音全音域音箱。采用两只15"高效率低音单元，一只2"喉口75芯复合振膜高音驱动器配置专门设计的号角，箱体采用多层复合夹板，水性环保喷涂制作。

### CONFIGURATION



### FEATURES

- High quality plywood with special environmental protection paint
- Very high SPL from a full range passive enclosure
- Extended low frequency performance from dual 15" drivers
- Dedicated low distortion mid-bass driver
- 90°×50° plastic horn

### 产品特点

- 高质量单元配置，高强度夹板箱体
- 多吊挂点，操作简易快捷
- 超长品质保证期：品质与信心的保证

### 适用范围

- 用于全音域扩声、小型室外扩声
- 多功能厅、高级酒店会所



<b>FREQUENCY RESPONSE(-3dB)</b>	40 Hz-18kHz
<b>FREQUENCY RESPONSE(-10dB)</b>	35 Hz-20kHz
<b>DRIVERS</b>	2×15"(385mm)/3"voice coil LF 1×2"(50mm)/3"voice coil HF
<b>RATED POWER</b>	800W RMS,3200W peak
<b>SENSITIVITY</b>	101dB 1watt/1 metre
<b>MAXIMUM SPL</b>	130dB continuous,136 dB peak
<b>IMPEDANCE</b>	4 ohms nominal
<b>DISPERSION(-6dB)</b>	90°×50°
<b>CROSSOVER FREQUENCIES</b>	1.5 kHz passive
<b>INPUT CONNECTORS</b>	2×Speakon NL4
<b>PACKAGE SIZE</b>	760mm×650mm×1185mm
<b>NET WEIGHT</b>	57 kg/pc
<b>GROSS WEIGHT</b>	63 kg/pc