

# K506 II / K606 II / K806 II

## K series Two-way Loudspeaker System

The K506 II /606 II /806 II are a series of product, using the high quality 6" neodymium LF drivers and neodymium HF drivers coupled to special designed horns assembled into small speakers and column speakers to meet the demands of different small and medium-scaled places, and the box body is made of high quality plywood with polyurea waterproof paint.

K506 II /K606 II /K806 II 是一个系列产品，利用优质6"单元、高品质驱动器及特别设计的号角组合成的音箱和音柱，以满足中小型流动演出和固定位置使用，箱体采用多层复合夹板，聚脲喷涂。



### FEATURES

- High quality plywood with wear-resistant and waterproof polyurea paint
- Multi combinations and installation ways
- Hidden and external connections
- Used for moving performance, church and multi-purpose hall

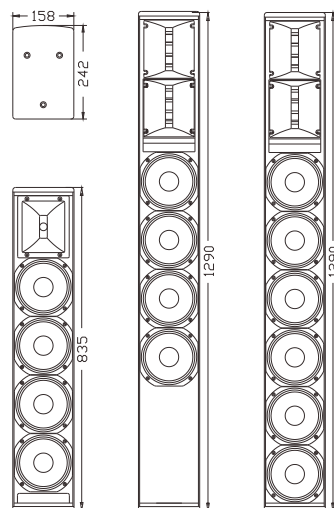
### 产品特点

- 高质量单元配置,多层复合夹板箱体
- 多种使用和安装方式,操作简单快捷
- 隐藏及外部两种接线方式

### 适用范围

- 流动商演、教堂、会议室、多功能厅

### CONFIGURATION



<b>MODEL</b>	K506 II	K606 II	K806 II
<b>FREQUENCY RESPONSE(-3dB)</b>	80Hz-18kHz	80Hz-18kHz	80Hz-18kHz
<b>FREQUENCY RESPONSE(-10dB)</b>	75Hz-20kHz	75Hz-20kHz	75Hz-20kHz
<b>DRIVERS</b>	4×6"(150mm) 1.5"voice coil LF 1×1"(25mm) 1.7"voice coil HF	4×6"(150mm) 1.5"voice coil LF 2×1"(25mm) 1.7"voice coil HF	6×6"(150mm) 1.5"voice coil LF 2×1"(25mm) 1.7"voice coil HF
<b>RATED POWER</b>	320W RMS,1280W peak	320W RMS,1280W peak	480W RMS,1920W peak
<b>SENSITIVITY</b>	98dB 1watt/1meter	98dB 1watt/1meter	100dB 1watt/1meter
<b>MAXIMUM SPL</b>	123dB continuous 129dB peak	123dB continuous 129dB peak	127dB continuous 133dB peak
<b>IMPEDANCE</b>	8 ohms nominal	8 ohms nominal	6 ohms nominal
<b>DISPERSION(-6dB)</b>	90°×50°	110°×25°(-17.5°/+7.5°)	110°×25°(-17.5°/+7.5°)
<b>CROSSOVER FREQUENCIES</b>	2.6KHz passive	2.5KHz passive	1.8KHz passive
<b>INPUT CONNECTORS</b>	2×Speakon NL4	2×Speakon NL4	2×Speakon NL4
<b>PACKAGE SIZE</b>	935mm×335mm×250mm	1380mm×340mm×270mm	1380mm×340mm×270mm
<b>NET WEIGHT</b>	12 kg/pc	16 kg/pc	18 kg/pc
<b>GROSS WEIGHT</b>	14 kg/pc	19 kg/pc	21 kg/pc