



pro audio



QSseries QS10 II

Two-way Loudspeaker System

FEATURES

- High quality plywood with special environmental protection paint
- Ultra-compact two way system
- Rotatable (50-100)° × 55° horn
- High power output
- Flexible mounting options
- Top hat fitting for tripod

产品特点

- 高质量单元配置，高强度夹板箱体
- 体积小、重量轻便于搬运和固定安装
- 多吊挂点与支撑配合，操作简易快捷
- 超长品质保证期：品质与信心的保证

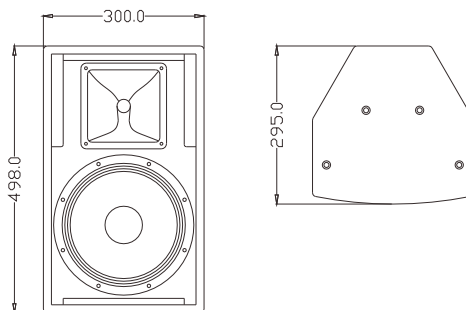
适用范围

- 用于全音域扩声、语言会议系统、高级卡拉OK包房
- 多功能厅、高级酒店会所
- 流动商演、乐队扩声以及小型舞台返送音箱

The QS10 II is an all-purpose full-range loudspeaker designed for near-field contracting applications. Rated at 250 watts(RMS), fitted with one 10" woofer and one 1" exit compression driver coupled to a rotatable (50-100)° × 55° horn.

QS10 II 是一款10"两分音全音域音箱。采用一只10"高效率低音单元，一只1"喉口34芯高分子聚酯膜高音驱动器配置(50-100)° × 55°可旋转号角，箱体采用多层复合夹板，水性环保喷涂制作。

CONFIGURATION



FREQUENCY RESPONSE(-3dB)	55 Hz-18kHz
FREQUENCY RESPONSE(-10dB)	50 Hz-20kHz
DRIVERS	1× 10"(250mm)/2.5"voice coil LF 1× 1"(25mm)/ 1.4"voice coil HF
RATED POWER	250W RMS,1000W peak
SENSITIVITY	95dB 1watt/1 metre
MAXIMUM SPL	119dB continuous,125 dB peak
IMPEDANCE	8 ohms nominal
DISPERSION(-6dB)	(50-100)° × 55°
CROSSOVER FREQUENCIES	2.2kHz passive
INPUT CONNECTORS	2×Speakon NL4
PACKAGE SIZE	395mm× 390mm× 605mm
NET WEIGHT	13 kg/pc
GROSS WEIGHT	15 kg/pc