

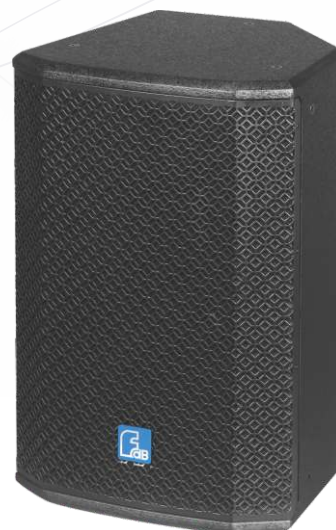
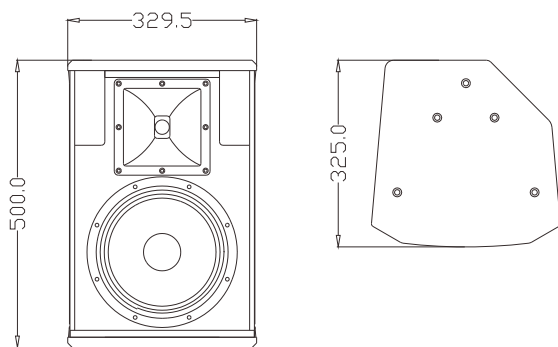
S series S110

Two-way Loudspeaker System

The S110 is a 10", small sized, two way full range speaker with clear and soft sound. Unit configuration: 1x10" high efficiency mid-bass unit, 1x1" exit throat 44mm polyimide diaphragm HF driver with 90°×50° rotatable horn. The cabinet is made of multilayer composite plywood with wear-resistant polyurea paint.

S110是一款10"两分音全频音箱，具有体积小、音质清晰、柔和等特点。单元配置：1只10"高效率中低音单元，1只1"喉口44芯聚酯膜高音驱动器配上90°×50°可旋转号角。箱体采用多层复合夹板，耐磨聚脲喷涂。

CONFIGURATION



FEATURES

- Clear and soft sound
- Multi-ways for installation
- Applications: conference rooms, multifunction halls, classrooms, hotel entertainment, touring

产品特征

- 音质清晰、柔和
- 多种安装及使用方式

适用范围

- 会议室、多功能厅，教室
- 酒店娱乐、流动演出



MODEL
FREQUENCY RESPONSE(-3dB)
FREQUENCY RESPONSE(-10dB)
DRIVERS

RATED POWER
SENSITIVITY
MAXIMUM SPL
IMPEDANCE
DISPERSION(-6dB)
CROSSOVER FREQUENCIES
INPUT CONNECTORS
PACKAGE SIZE
NET WEIGHT
GROSS WEIGHT

S110
 70 Hz-18kHz
 65 Hz-20kHz
 1×10"(250mm)/2.5"voice coil LF
 1×1"(25mm)/1.7"voice coil HF
 250W RMS,1000W peak
 95dB 1watt/1 metre
 119dB continuous,125 dB peak
 8 ohms nominal
 90°×50°
 1.7kHz passive
 2×Speakon NL4
 410mm×405mm×600mm
 14 kg/pc
 17 kg/pc