

U series U112VI U112AVI

Two-way Loudspeaker System

The U112VI is a 12" two way full range speaker with clear and bright sound. Unit configuration: 1x12" high efficiency mid-bass unit, 1x1" exit throat 44mm polyimide diaphragm HF driver with 90°x40° rotatable horn. The cabinet is made of multilayer composite plywood with wear-resistant polyurea paint. U112AVI is an active speaker with two channels and DSP digital amplifier.

U112VI是一款12"两分音全频音箱，具音质清晰、明亮等特点。单元配置：1只12"高效率中低音单元，1只1"喉口44芯高分子聚酯膜高音驱动器配置90°x40°可旋转号角。箱体采用多层复合夹板，耐磨聚脲喷涂。U112AVI是一款两通道带DSP的有源音箱。

FEATURES

- High quality unit configuration, high strength plywood housing
- Multi-hanging points and support, easy and quick operation
- Applications: large-scale indoor sound reinforcement, multifunction halls, high-end hotel clubs, touring, band reinforcement and monitor speaker

产品特征

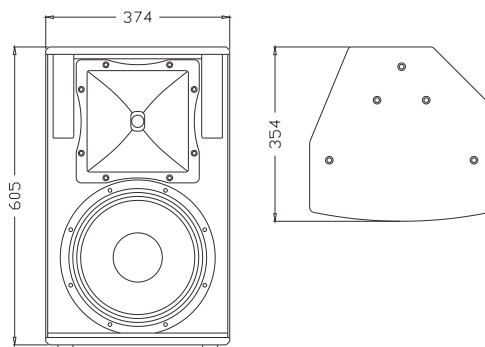
- 高质量单元配置，高强度夹板箱体
- 多吊挂点与支撑配合，操作简易快捷

适用范围

- 大型室内扩声补声
- 多功能厅、高级酒店会所
- 流动商演、乐队扩声以及舞台返送音箱



CONFIGURATION



MODEL

FREQUENCY RESPONSE(-3dB)

FREQUENCY RESPONSE(-10dB)

DRIVERS

RATED POWER

SENSITIVITY

MAXIMUM SPL

IMPEDANCE

DISPERSION(-6dB)

CROSSOVER FREQUENCIES

INPUT CONNECTORS

PACKAGE SIZE

NET WEIGHT

GROSS WEIGHT

U112VI

50Hz-18kHz

45 Hz-20kHz

1 × 12"(300mm)/3"voice coil LF

1 × 1"(25mm)/1.7"voice coil HF

300W RMS,1200W peak

97dB 1watt/1meter

122dB continuous,128dB peak

8 ohms nominal

90°×40°

2kHz passive

2 × Speakon NL4

490mm × 470mm × 730mm

21 kg/pc

25 kg/pc

U112AVI

50Hz-18kHz

45 Hz-20kHz

1 × 12"(300mm)/2.5"voice coil LF

1 × 1"(25mm)/1.4"voice coil HF

500W/4Ω+50W/8Ω

--

122dB continuous,128dB peak

--

90°x40°

--

INPUT TYPE: Balanced Differential line

490mm × 470mm × 730mm

19 kg/pc

23 kg/pc